



# HITPOINT

TEL:8862-26013311

FAX:8862-26013898

No.4, Lane 505 ,Zhongzheng Road, Linkou Shiang, Taipei,Taiwan24445

## Piezoelectric Speaker PSR-4523SQ

(ROHS)

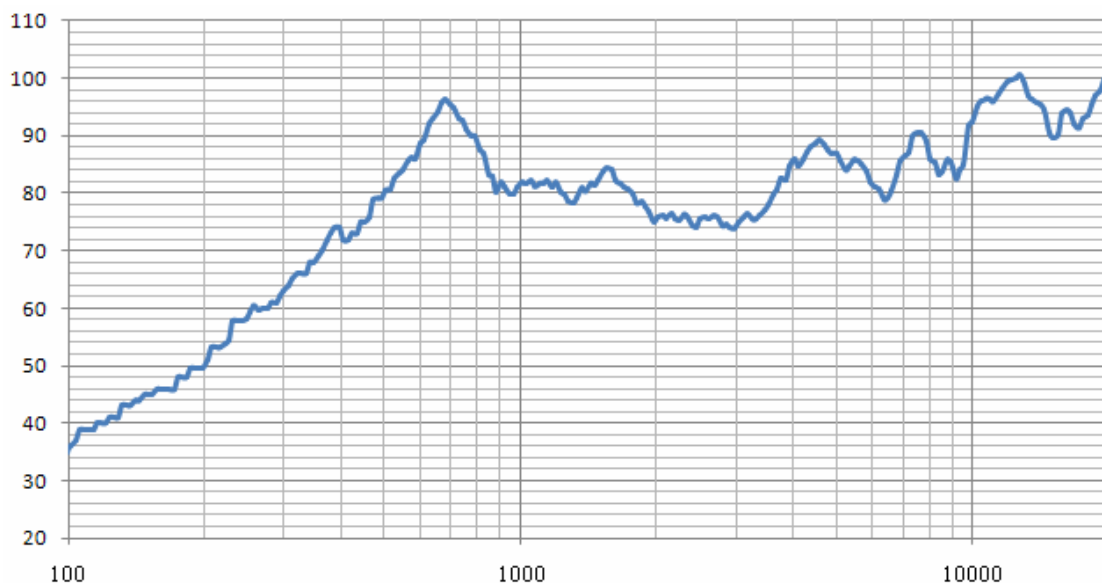
DATE:2013.06.27

VER.:0

### 1 . Electrical Characteristics

Rated Frequency Range( kHz)	0.36 ~ 20
Output S.P.L (dB)	80±5.0 at 5.0Vrms 10cm 1.5K,2.0K,3.0KHz
Resonant Frequency (KHz)	0.68±20%
Capacitance(μF)	1.3±20%
Maximum Sinusoidal Voltage (Vrms)	7.0
Operating Temperature Range(°C)	-20 ~ +70
Storage Temperature Range(°C)	-30 ~ +85°C

### 2 . Typical Frequency Response Curve





# HITPOINT

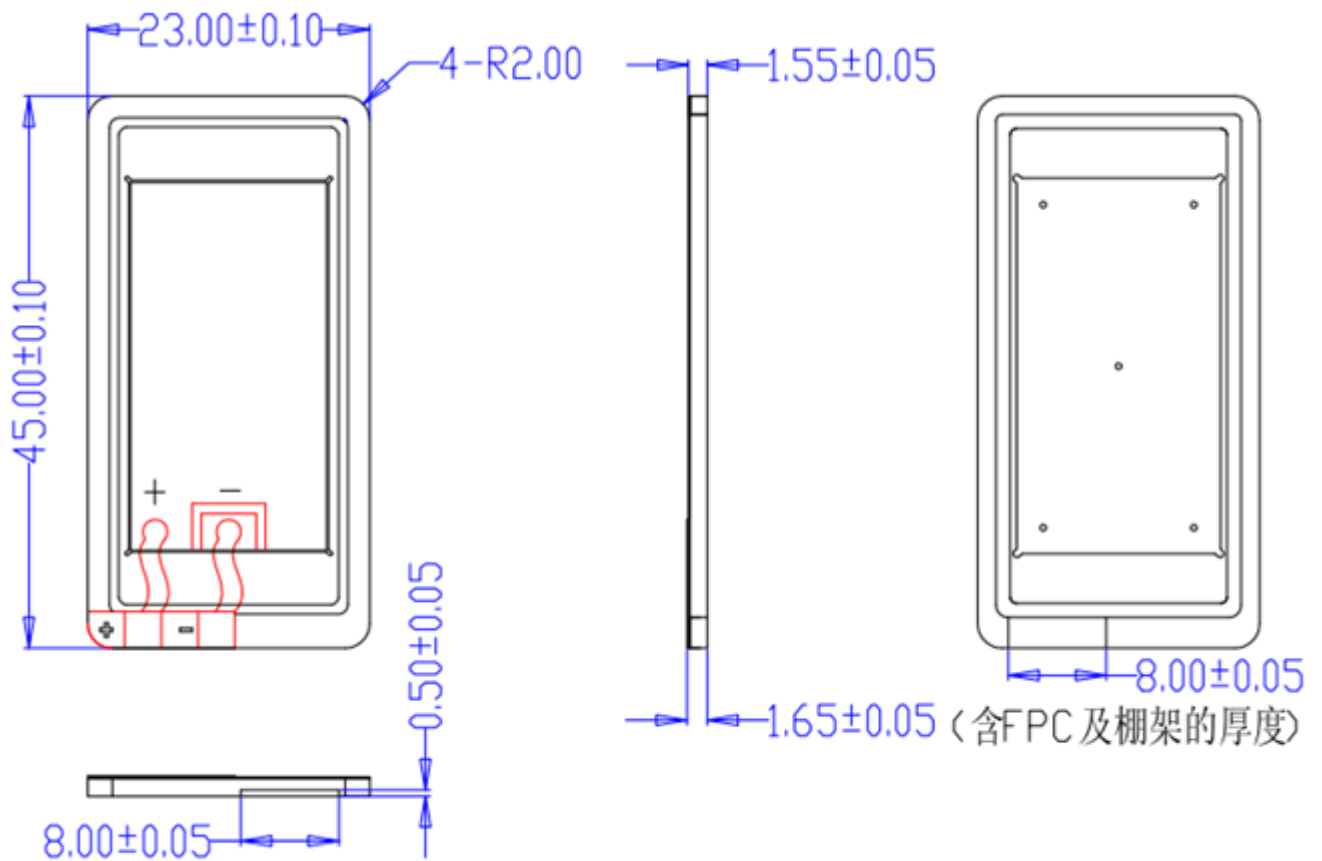
TEL:8862-26013311

FAX:8862-26013898

No.4, Lane 505 ,Zhongzheng Road, Linkou Shiang, Taipei,Taiwan24445

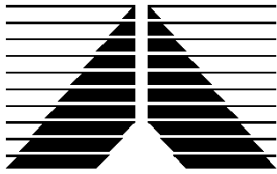
### 3 . Dimensions and Material

#### 3-1 Shape (Unit : mm)



#### 3-2 Material

Magnet	FPC
Weight (Gram)	3.0



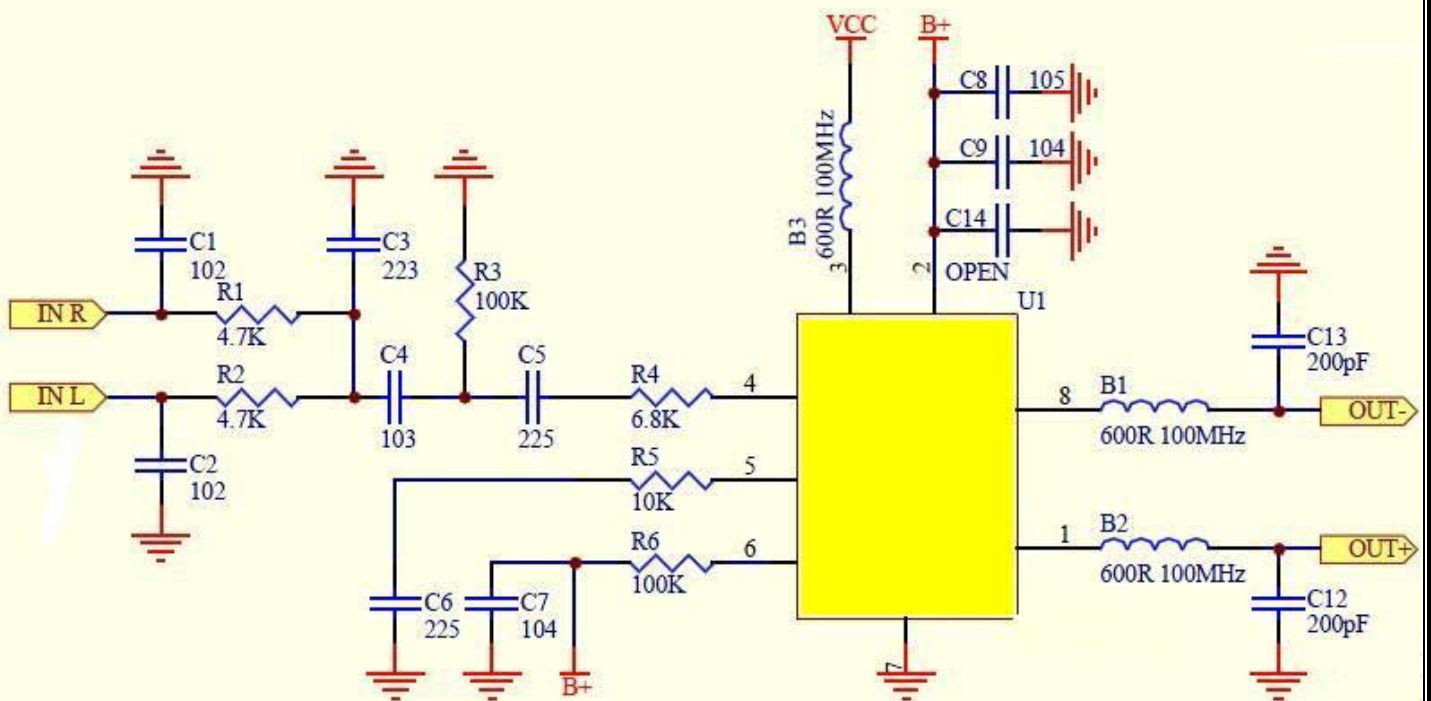
# HITPOINT

TEL:8862-26013311

FAX:8862-26013898

No.4, Lane 505 ,Zhongzheng Road, Linkou Shiang, Taipei,Taiwan24445

## 4 . Recommend Driving Circuit





# HITPOINT

TEL:8862-26013311

FAX:8862-26013898

No.4, Lane 505 ,Zhongzheng Road, Linkou Shiang, Taipei,Taiwan24445

## 5. RELIABILITY

<b>ITEMS</b>	<b>METHOD OF TEST AND MEASUREMENTS</b>
<i>High Temp Test</i>	<i>After having been in a test chamber for 16 hours at the condition of +70 °C 20%~25% RH and then let 2 hours in a room should satisfy the test described under Normal Impedance and Buzzes &amp; Rattles.</i>
<i>Low Temp Test</i>	<i>After having been in a test chamber for 16 hours at the condition of -20 °C±3 °C and then let 2 hours in a room should satisfy the test described under Normal Impedance and Buzzes &amp; Rattles.</i>
<i>Humidity Test</i>	<i>After having been in a test chamber for 96 hours at the condition of 40 °C90%~95% RH and then let 4 hours in a room should satisfy the test described under Normal Impedance and Buzzes &amp; Rattles .</i>
<i>Load Test</i>	<i>At 0.5W white noise is applied for 24 hours and then should satisfy the test described under Normal Impedance and Buzzes &amp; Rattles.</i>
<i>Drop Test</i>	<i>Drop the speakers contained in normal box on to the board 5mm thick 2 times from the height of 1.0m Normal Impedance and Buzzes &amp; Rattles .</i>
<i>Operating Temperature</i>	<i>-20 °C to +70 °C</i>