



HITPOINT

TEL:8862-26013311

FAX:8862-26013898

NO.4 Lane 505, Zhongzheng Rd., Linkou Shiang, Taipei, Taiwan 24445 . R.O.C

Piezo Siren PS-821AQ

(RoHS)

DATE:2009.06.20

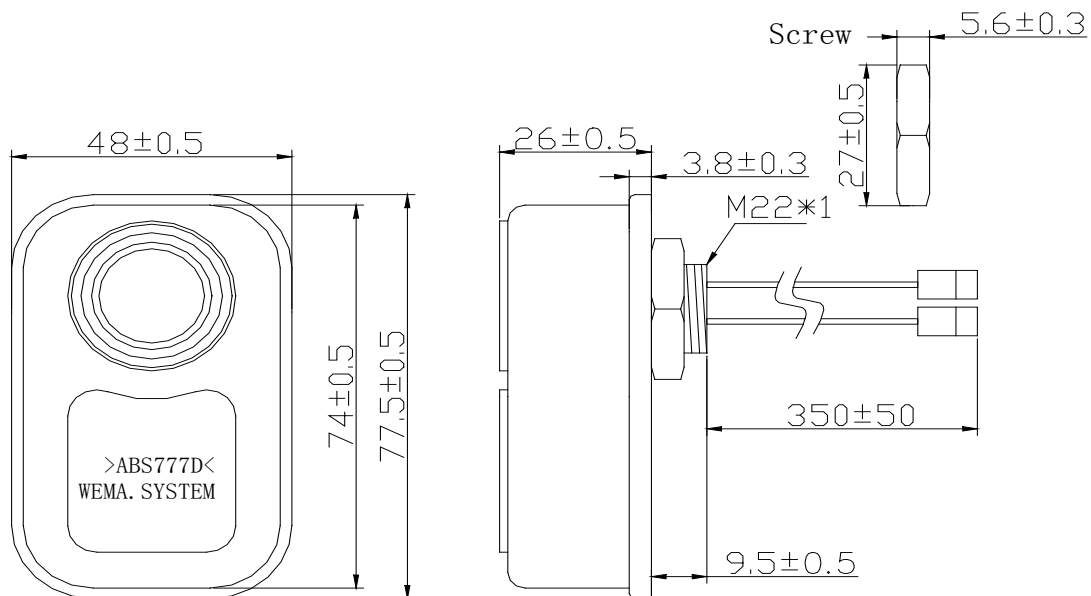
1 . Electrical Characteristics

VER .:2

Resonant Frequency (KHz)	4.0 ± 0.5
Operating Voltage (VDC)	18 ~ 32
Rated Voltage (VDC)	24
Current Consumption (mA/max)	20 at Rated Voltage
Sound Pressure Level (dB/min)	90 dB at 60 cm(two feet)
Tone/Pulse Rate(Hz)	Pulse $1.0 \pm 20\%$
Operating Temperature (°C)	-20 ~ +90
Storage Temperature (°C)	-30 ~ +100

2 . Dimensions and Material

2-1 Shape



Unit : mm



2-2 Material

Housing	ABS 777D plastic resin (Color : Black)
Leading Wire	22AWG (Red + White)
Weight (Gram)	98

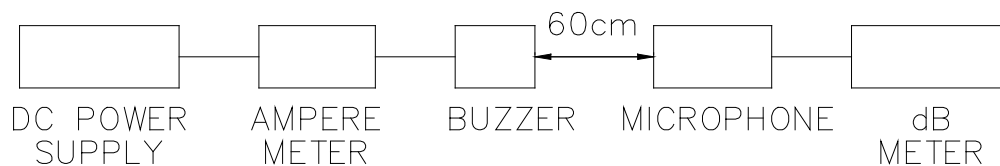
3. TESTING METHOD

• *Standard Measurement conditions*

Temperature: 25 ± 2 °C Humidity: 45-60%

• *Acoustic Characteristics*

The oscillation frequency, current consumption and sound pressure are measured by the measuring instruments shown below.





HITPOINT

TEL:8862-26013311

FAX:8862-26013898

NO.4 Lane 505, Zhongzheng Rd., Linkou Shiang, Taipei, Taiwan 24445 . R.O.C

4. RELIABILITY

ITEMS	METHOD OF TEST AND MEASUREMENTS	PERFORMANCE
<i>Coldness withstanding</i>	<i>After 98 hours of being exposed to -40°C environment, should be returned to normal environment for 2 hours, then re-proceed to test.</i>	<i>No abnormality shall exist</i>
<i>Hotness withstanding</i>	<i>After 98 hours of being exposed to +85°C environment, should be returned to normal environment for 2 hours, then re-proceed to test.</i>	<i>No abnormality shall exist</i>
<i>Humidity withstanding</i>	<i>After 98 hours of being exposed to 40°C 95%RH environment in actual operation, should be returned to normal environment for 2 hours, then re-proceed to test.</i>	<i>No abnormality shall exist</i>
<i>Drop withstanding</i>	<i>A natural drop from 75cm high down to the ground.</i>	<i>No abnormality shall exist</i>
<i>Vibration withstanding</i>	<i>Vibration of 2,000 cycles per minute, 2mm amplitude, applied in X, Y and Z directions for 30 minutes each.</i>	<i>No abnormality shall exist</i>

5. PACKAGE METHOD

<1> 2pcs per box , Total 100 boxes per carton , total 200pcs carton;

Volume: L*W*H=520*335*290mm

<2>N . W . : 19.6KGS ; G . W . : 21.6KGS ;

<3>RoHS Mark