



# HITPOINT

TEL:8862-26013311

FAX:8862-26013898

NO.4 Lane 505, Zhongzheng Rd., Linkou Shiang, Taipei, Taiwan 24445 . R.O.C

## Piezo Siren PS-593SL-AQ

(ROHS)

DATE:2009.06.20

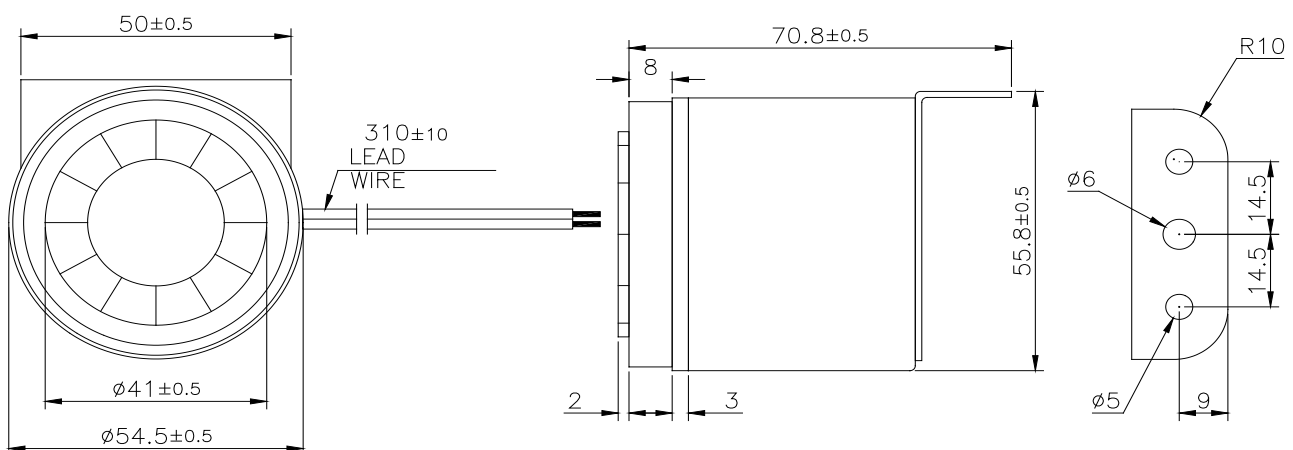
### 1 . Electrical Characteristics

VER .:2

Resonant Frequency (KHz)	1.5 ~ 3.5
Operating Voltage (Vdc)	5 ~ 15
Rated Voltage (Vdc)	12
Current Consumption (mA/max.)	250 at Rated Voltage
Sound Pressure Level (dB/min.)	105 at 100cm at Rated Voltage
Tone/Pulse Rate (Hz)	Sweep 3.3 ±20%
Operating Temperature (°C)	-20 ~ +70
Storage Temperature (°C)	-30 ~ +80

### 2 . Dimensions and Material

#### 2-1 Shape



Unit : mm



## 2-2 Material

Housing	ABS 777D plastic resin (Color: Black)
Leading Wire	20 AWG (Red+Black)
Weight (Gram)	99.6

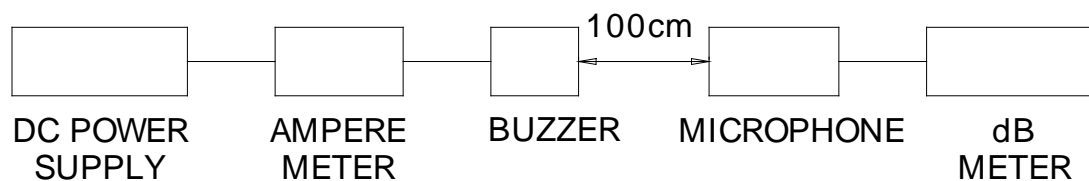
## 3. TESTING METHOD

### • *Standard Measurement conditions*

*Temperature:25±2 °C Humidity:45-60%*

### • *Acoustic Characteristics*

*The oscillation frequency, current consumption and sound pressure are measured by the measuring instruments shown below.*





# HITPOINT

TEL:8862-26013311

FAX:8862-26013898

NO.4 Lane 505, Zhongzheng Rd., Linkou Shiang, Taipei, Taiwan 24445 . R.O.C

## 4. RELIABILITY

<b>ITEMS</b>	<b>METHOD OF TEST AND MEASUREMENTS</b>	<b>PERFORMANCE</b>
<i>Coldness withstanding</i>	<i>After 98 hours of being exposed to -30 °C environment, should be returned to normal environment for 2 hours, then re-proceed to test.</i>	<i>No abnormality shall exist</i>
<i>Hotness withstanding</i>	<i>After 98 hours of being exposed to +80 °C environment, should be returned to normal environment for 2 hours, then re-proceed to test.</i>	<i>No abnormality shall exist</i>
<i>Humidity withstanding</i>	<i>After 98 hours of being exposed to 40 °C 95%RH environment in actual operation, should be returned to normal environment for 2 hours, then re-proceed to test.</i>	<i>No abnormality shall exist</i>
<i>Durability</i>	<i>10sec on/10sec off; 1000hours(180000 cycles)</i>	<i>No abnormality shall exist</i>
<i>Vibration withstanding</i>	<i>Linear vibrate frequency rate: 5~55Hz Time:180sec, applied in X, Y and Z directions for 3 times each.</i>	<i>No abnormality shall exist</i>

## 5. PACKAGE METHOD

<1> One inner box consists of 1pcs.

<2> 100pcs of PS-593SL-AQare packed in a carton box. (L\*W\*H=520\*335\*290mm)

<3>N . W . : ; 10.0 KGS ; G . W . : 12.0KGS ;

< 4 > RoHS Mark: