



HITPOINT

TEL:8862-26013311

FAX:8862-26013898

NO.4 Lane 505, Zhongzheng Rd., Linkou Shiang, Taipei, Taiwan 24445 . R.O.C

Automobile Turnning Sounder

PM-386Q

(ROHS)

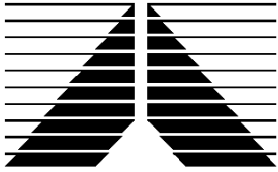
DATE:2019/01/22

1 . Electrical Characteristics

VER 1

| | |
|--------------------------------|-----------------------------|
| Operating Voltage (Vdc) | 10~32 |
| Rated Voltage (Vdc) | 24 |
| Current Consumption (mA/max.) | 300 at Rated Voltage |
| Sound Pressure Level (dB/min.) | 倒車請注意 98 at 100cm at 24Vdc |
| | 右轉彎請注意 95 at 100cm at 24Vdc |
| | 左轉彎請注意 95 at 100cm at 24Vdc |
| | 倒車請注意 95 at 100cm at 12Vdc |
| | 右轉彎請注意 93 at 100cm at 12Vdc |
| | 左轉彎請注意 93 at 100cm at 12Vdc |
| Tone/Pulse Rate | 倒車請注意，右轉彎請注意，左轉彎請注意 |
| Operating Temperature (°C) | -20 ~ +70 |
| Storage Temperature (°C) | -30 ~ +80 |





HITPOINT

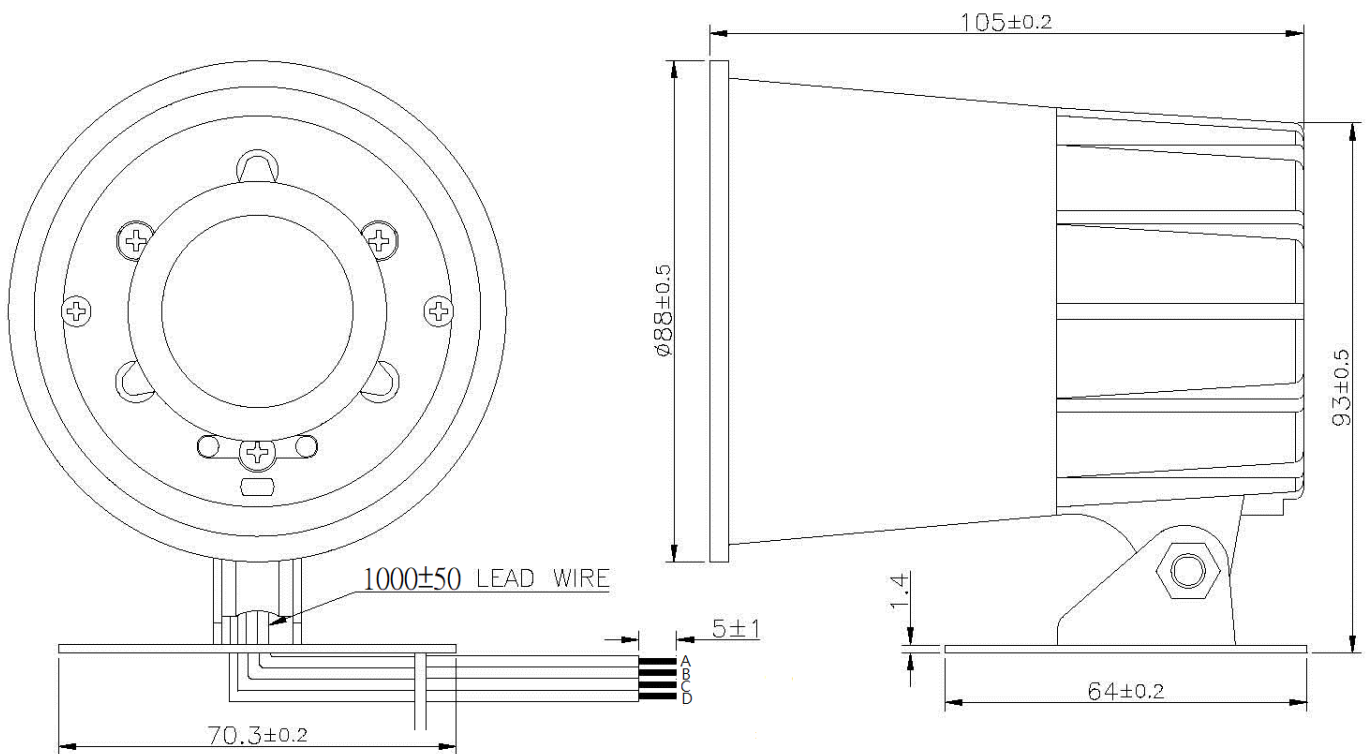
TEL:8862-26013311

FAX:8862-26013898

NO.4 Lane 505, Zhongzheng Rd., Linkou Shiang, Taipei, Taiwan 24445 . R.O.C

2 . Dimensions and Material

2-1 Shape



Unit (mm)

- A 紅: 倒車請注意
- B 藍: 右轉彎請注意
- C 白: 左轉彎請注意
- D 黑: 電源(-)

2-2 Material

| | |
|---------------|--|
| Housing | ABS 757 UL94HB plastic resin (Color : Black) |
| Weight (Gram) | 400 |
| Leading Wire | 24AWG |



HITPOINT

TEL:8862-26013311

FAX:8862-26013898

NO.4 Lane 505, Zhongzheng Rd., Linkou Shiang, Taipei, Taiwan 24445 . R.O.C

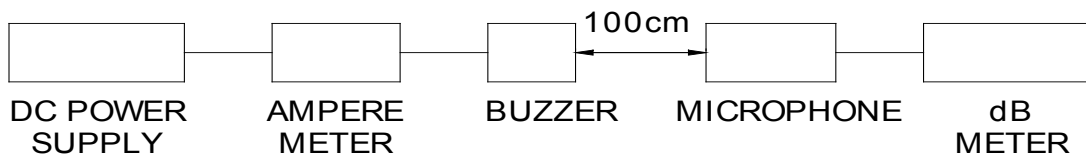
4. TESTING METHOD

· Standard Measurement conditions

Temperature: $25 \pm 2^\circ\text{C}$ Humidity: 45-60%

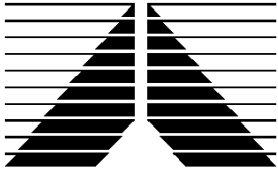
· Acoustic Characteristics

The oscillation frequency, current consumption and sound pressure are measured by the measuring instruments shown below.



5. RELIABILITY

| ITEMS | METHOD OF TEST AND MEASUREMENTS | PERFORMANCE |
|------------------------|---|----------------------------|
| Coldness withstanding | After 24 hours of being exposed to -30°C environment, should be returned to normal environment for 2 hours, then re-proceed to test. | No abnormality shall exist |
| Hotness withstanding | After 24 hours of being exposed to $+80^\circ\text{C}$ environment, should be returned to normal environment for 2 hours, then re-proceed to test. | No abnormality shall exist |
| Humidity withstanding | After 24 hours of being exposed to 40°C 95%RH environment in actual operation, should be returned to normal environment for 2 hours, then re-proceed to test. | No abnormality shall exist |
| Durability | Testing after 1,000 hours actual continuous operation. (at standard measurement conditions) | No abnormality shall exist |
| Drop withstanding | A natural drop from 75cm high down to the ground. | No abnormality shall exist |
| Vibration withstanding | Vibration of 2,000 cycles per minute, 2mm amplitude, applied in X, Y and Z directions for 30 minutes each. | No abnormality shall exist |



HITPOINT

TEL:8862-26013311

FAX:8862-26013898

NO.4 Lane 505, Zhongzheng Rd., Linkou Shiang, Taipei, Taiwan 24445 . R.O.C

6. PACKAGE METHOD

<1> 1pcs per box , Total 50boxes per carton , total 50pcs carton;

Volume: L*W*H=480*260*750mm

< 2>NW:21KGS GW:22KGS

< 3 >RoHS Mark