



HITPOINT

TEL:8862-26013311

FAX:8862-26013898

NO.4 Lane 505, Zhongzheng Rd., Linkou Shiang, Taipei, Taiwan 24445 . R.O.C

Piezo Electric Buzzer PK-31H40PQ

(RoHS)

DATE:2018.11.09

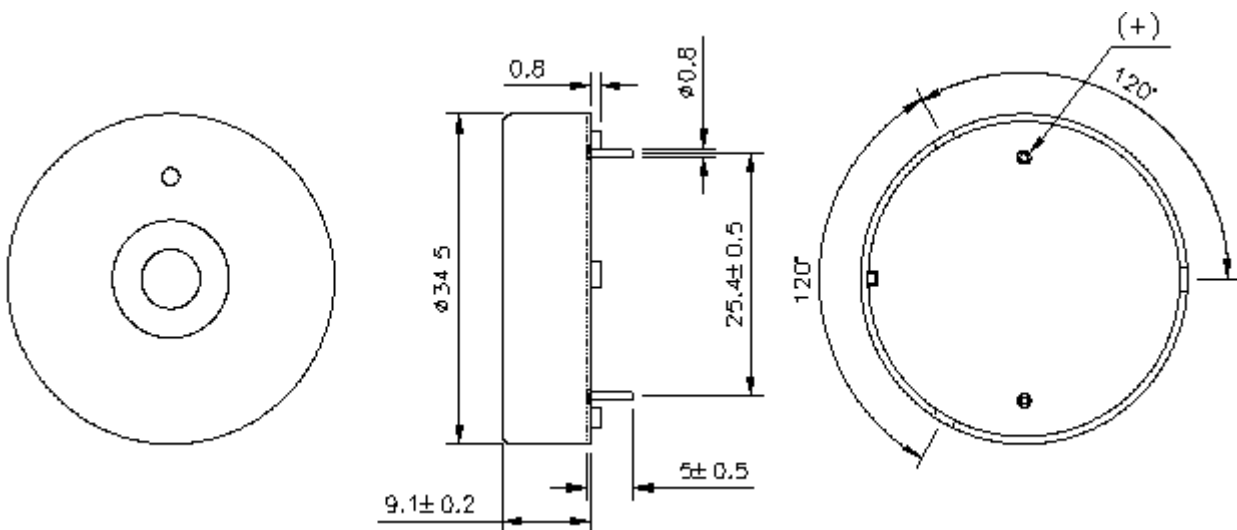
1. Electrical Characteristics

VER.:2

Oscillation Frequency (KHz)	4.0 \pm 0.3
Operating Voltage (Vdc)	3.0 ~ 16
Rated Voltage (Vdc)	12
Current Consumption (mA/max.)	25 at Rated Voltage
Sound Pressure Level (dB/min.)	100 at 30cm at Rated Voltage
Tone/Pulse Rate	Constant
Operating Temperature (°C)	-20 ~ +90
Storage Temperature (°C)	-30 ~ +100
Condition by wave (°C)	260 \pm 5°C / within 5sec
Condition by hand (°C)	350 \pm 20°C / within 5sec

2. Dimensions and Material

2-1 Shape



Unit : mm



HITPOINT

TEL:8862-26013311

FAX:8862-26013898

NO.4 Lane 505, Zhongzheng Rd., Linkou Shiang, Taipei, Taiwan 24445 . R.O.C

2-2 Material

Housing	ABS 777D UL94HB plastic resin (Color : Black)
Lead Pin	Tin Plated Brass
Weight (Gram)	4.2

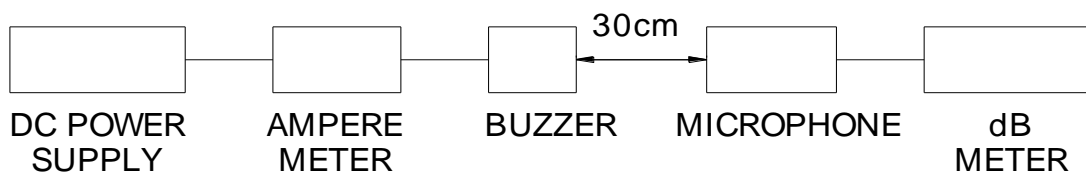
3. TESTING METHOD

· *Standard Measurement conditions*

Temperature:25±2°C Humidity:45-60%

· *Acoustic Characteristics*

The oscillation frequency, current consumption and sound pressure are measured by the measuring instruments shown below.





HITPOINT

TEL:8862-26013311

FAX:8862-26013898

NO.4 Lane 505, Zhongzheng Rd., Linkou Shiang, Taipei, Taiwan 24445 . R.O.C

4. RELIABILITY

ITEMS	METHOD OF TEST AND MEASUREMENTS	PERFORMANCE
<i>Coldness withstanding</i>	<i>After 98 hours of being exposed to -30°C environment, should be returned to normal environment for 2 hours, then re-proceed to test.</i>	<i>No abnormality shall exist</i>
<i>Hotness withstanding</i>	<i>After 98 hours of being exposed to +100°C environment, should be returned to normal environment for 2 hours, then re-proceed to test.</i>	<i>No abnormality shall exist</i>
<i>Humidity withstanding</i>	<i>After 98 hours of being exposed to 40°C 95%RH environment in actual operation, should be returned to normal environment for 2 hours, then re-proceed to test.</i>	<i>No abnormality shall exist</i>
<i>Durability</i>	<i>Testing after 98 hours actual continuous operation.(at standard measurement conditions)</i>	<i>No abnormality shall exist</i>
<i>Drop withstanding</i>	<i>A natural drop from 75cm high down to the ground.</i>	<i>No abnormality shall exist</i>
<i>Vibration withstanding</i>	<i>Vibration of 2,000 cycles per minute, 2mm amplitude, applied in X, Y and Z directions for 30 minutes each.</i>	<i>No abnormality shall exist</i>

5. PACKAGE METHOD

< 1 > 120pcs per box , Total 10 boxes per carton , total 1200pcs carton;

Volume: L*W*H=520*335*290mm

< 2 >N.W. : ; 8KGS ; G.W. : 9KGS ;

< 3 >RoHS Mark